

ATR2EHMFB



ATLAS

User Manual

1. Introduction

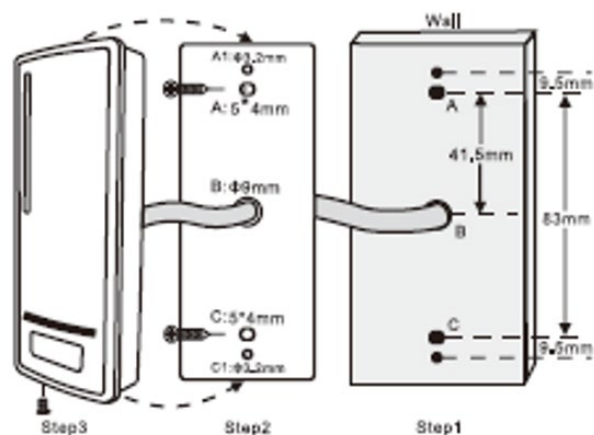
The ATR2EHMF B reader is designed with a thin profile and modern appearance. It can read 125KHz EM & HID, and 13.56MHz Cards/Fobs. The reader is IP66 so can be installed indoors or outdoors.

2. Specification

Model	ATR2EHMF B
Operation Voltage	9 – 24V DC
Standby Current	≤25mA
Frequency	125KHz and 13.56MHz
Card Type	125KHz – EM & HID Card/Fobs 13.56 MHz – Mifare Card (ISO 14443A Compatible)
Read Range	Up to 7cm
Output Format	EM Card: Weigand 26 bits Mifare Card: Weigand 34 bits HID Card: Weigand 26 – 37 bits (Auto)
Operation Temperature	-40°C ~ 60°C
Operating Humidity	10% to 95% RH
Colour	Black
Index of Protection	IP66
Dimension (L x W x H)	L120 x W48 x H20mm
Net Weight	120g
Shipment Weight	170g

3. Installation

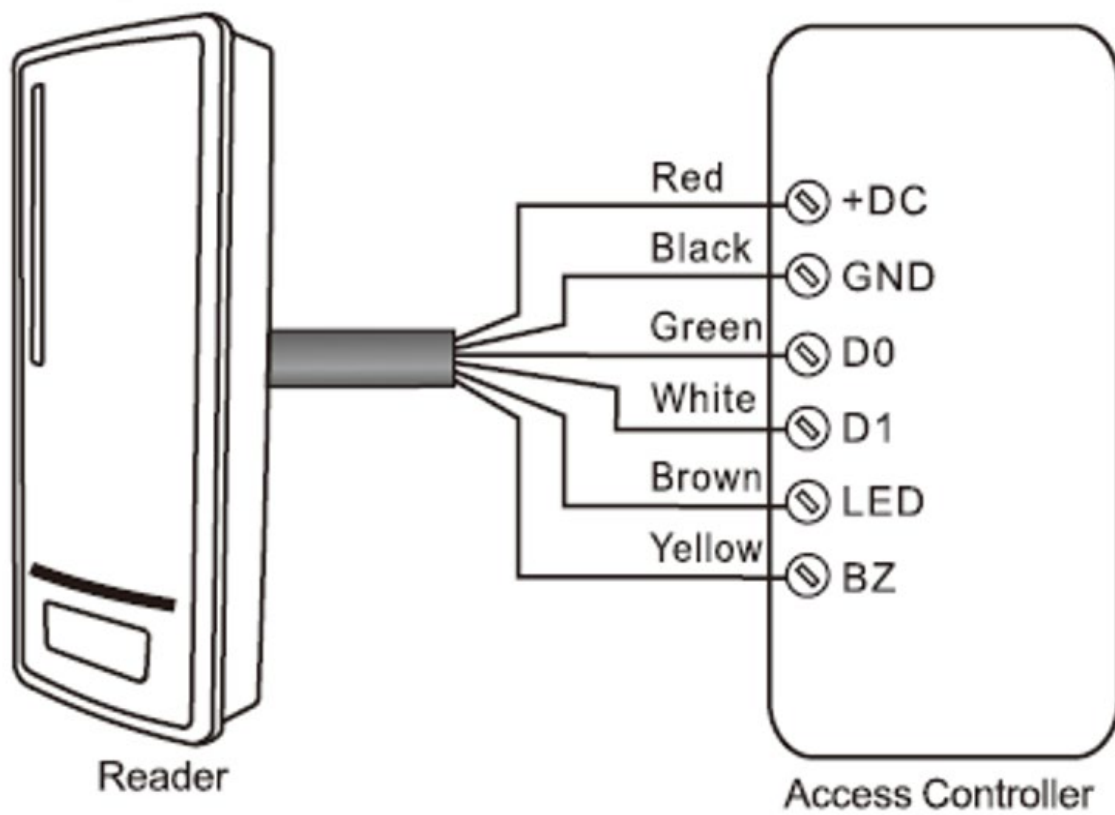
- Drill 2 holes (A,C) on the wall for the screws and one hole for the cable.
- Use the wall fixing plugs in holes (A,C)
- Fix the back cover on the wall with 2 screws.
- Thread the cable through the cable hole (B)
- Attach the unit to the back cover.



Wiring

Colour	Function	Notes
Red	Power	+DC (9 – 24V DC)
Black	GND	Ground
Green	D0	Data 0
White	D1	Data 1
Brown	LED	Green LED Light Control
Yellow	Buzzer	Buzzer Control

(Note: Brown and Yellow wires are optional connections)



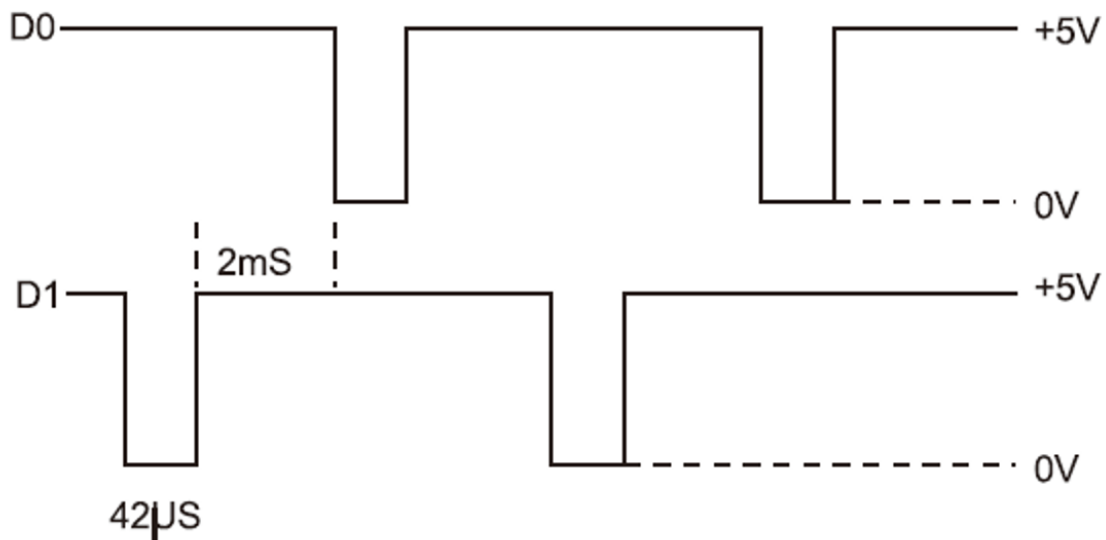
4. Functions Table Sheet

Read Card	The LED light will turn Green, the buzzer sounds beep and the reader outputs the Weigand signal.
External LED Control	When the input voltage for the LED is low, the LED will turn Green.
External Buzzer Control	When the input voltage for the Buzzer is low, the Buzzer will sound.
Weigand Data Output	EM Card output Weigand 26 bits, Mifare Card output Weigand 34 bits, HID card output Weigand 26 – 37 bits automatically.

5. Data Signal

Description	Reader Typical Time
Pulse Width Time	42 μ S
Pulse Interval Time	2 mS

The table below shows the wave form of pulse width time (the duration of a pulse) and pulse interval time (the time between pulses) of the Weigand data output from the readers. (Example 1010).



Packing List

Name	Quantity
Reader	1
Manual	1
Screw Driver	1
Wall fixing Plugs	2
Self-Tapping Screws	2